




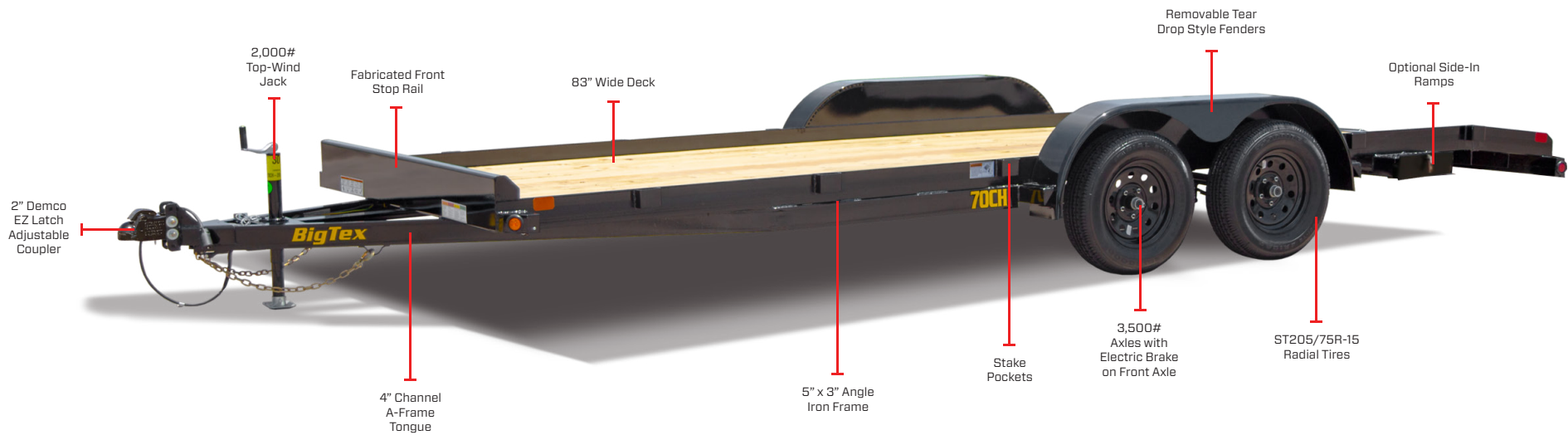


70GH | TANDEM AXLE CAR HAULER

BigTex TRAILERS®

 GVWR: 7,000#  EMPTY WEIGHT: 1,610 - 2,060#  AVAILABLE LENGTHS: 14' - 20'  BED WIDTH: 83" WIDE  COUPLER: Bumper Pull



AVAILABLE SLIDE-IN RAMP PACKAGE

This model is available with an optional 4' slide-in angle ramp package, helping make loading and unloading cargo and vehicles safe and easy.



EFFORTLESS MAINTENANCE

Our forward self-adjusting brakes make brake maintenance a breeze. The system automatically adjusts the brake shoes as they wear down, eliminating the need for manual adjustments.



REMOVABLE FENDERS

This tandem axle car hauler comes equipped with rolled steel fenders. They are bolted on for easy removal and reinstallation, helping provide flexible loading and easy maintenance.



FLEXIBLE VEHICLE SECUREMENT

The standard stake pockets provide several latching locations to quickly and easily secure your vehicle and other cargo to the trailer.